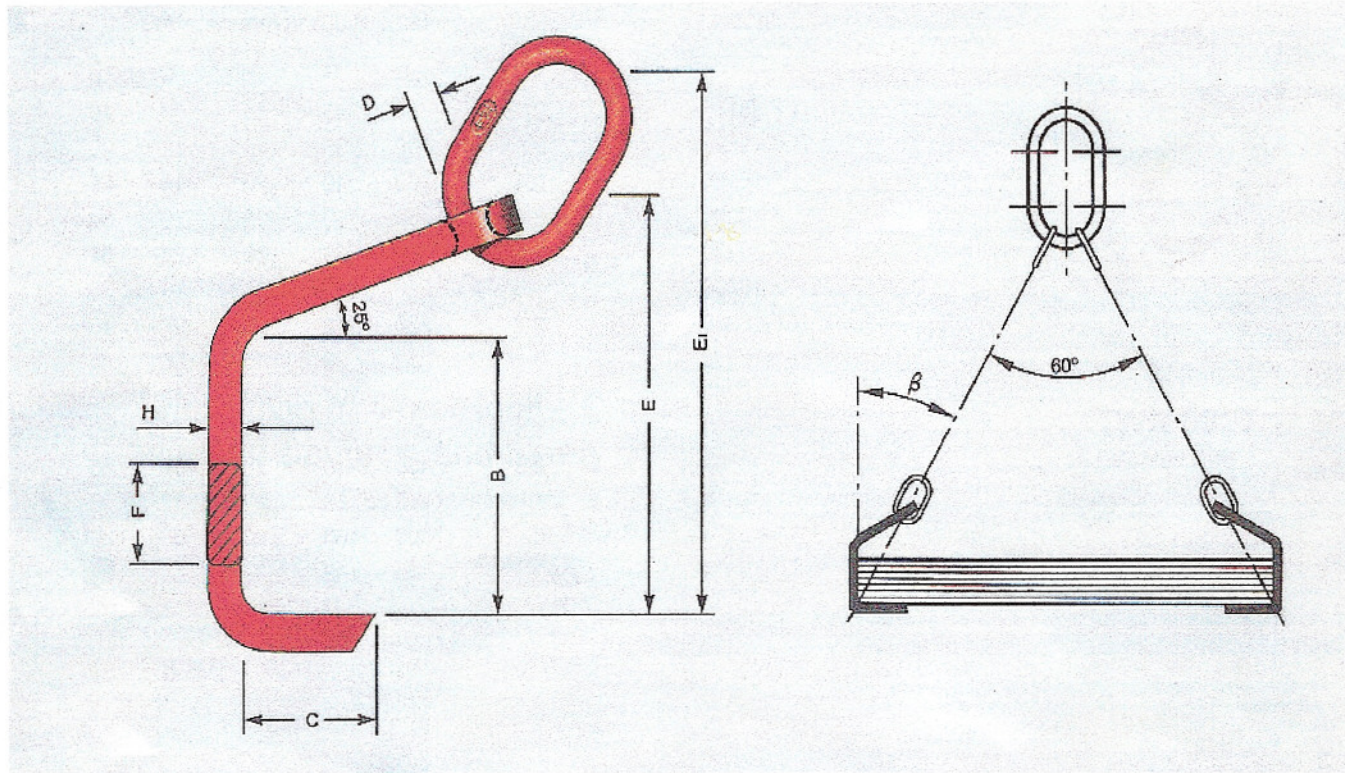


Plate Hook with Connecting Link
(60° sling angle)



For Nominal Size	chain dia.	Part Number	Working Load Limit*	(Dimensions in inches)								Weight (Lbs.)
				E	E1	B	C	D	F	H		
6-8	6mm	F35500	3,600 lbs.	5.91	7.09	3.54	2.36	.59	2.36	.78	5.51	
8-8	8mm	F35501	7,800 lbs.	6.18	7.76	3.54	3.15	.78	2.75	.98	8.81	
10-8	10mm	F35502	12,300 lbs.	9.06	10.95	5.51	3.54	.86	3.15	1.18	18.73	
13-8	13mm	F35503	20,800 lbs.	9.49	12.29	5.71	3.94	1.02	3.54	1.37	24.24	
16-8	16mm	F35504	31,300 lbs.	10.63	13.94	6.10	4.72	1.26	4.33	1.77	37.02	
18/20-8	18/20mm	F35505	49,000 lbs.	12.68	15.68	6.89	4.72	1.57	4.72	2.44	66.12	
22-8	22mm	F35506	59,200 lbs.	14.34	17.96	8.07	5.12	1.73	5.51	2.56	88.82	
26-8	26mm	F35507	82,600 lbs.	16.11	19.73	9.06	5.51	2.04	6.30	2.95	135.54	
32-8	32mm	F35508	125,200 lbs.	18.00	21.94	10.04	5.51	2.52	7.09	3.34	188.44	

*per pair - use only with sling angle of 60°